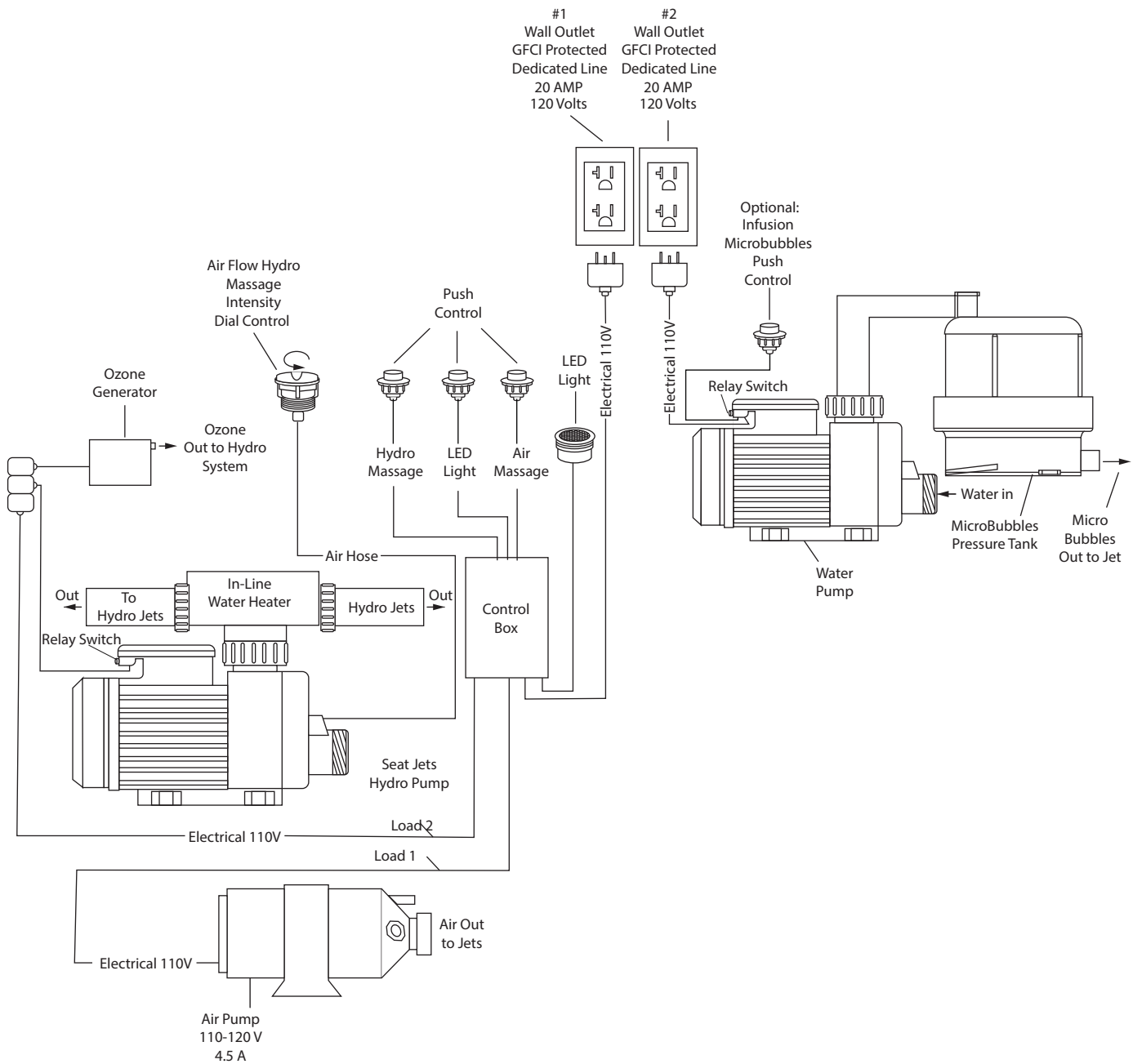


## Walk-in Tub Air + Hydro Therapeutic Massage + Microbubble Therapy Component Diagram



### 1. Air Massage System

- Refer to Technical drawing for jet Count
- Variable Speed Pump with Auto Purge
- ON/OFF Digital Controller

### 4. In-Line Water Heater

- Control Box

### 7. Led Light

- Chromatherapy

### 2. Hydro Massage System

- Hydro Pump
- Hydro Massage Air Flow Intensity Control
- ON/OFF Digital Controller

### 5. Electronic Component Controller

- Control Box

### 3. Infusion Microbubbles Micro Bubble Therapy System

- Microbubble Pump
- Pressure Vessel
- ON/OFF Button

### 6. Ozone Generator

- Ozone Sanitation System