



Warranty Information

JANDON faucet warrants the original purchase (must have prove of purchase) that such product is free from defect in materials or workmanship for as long as the original consumer purchaser owns their home from the date of purchase. This warranty is limited to but not including labor charges incurred and/or damages sustained during installation, repair or replacement, nor incidental or consequential damages. This warranty does not cover items which have received secondary finishing or have been altered or modified after purchase, or for defects caused by physical abuse to or misuse of the product. This warranty gives the original purchaser of a JANDON faucet specific legal rights which may vary from state to state or from province to province. In some states or provinces the exclusion or limitation of incidental or consequential damages is not allowed, so those exclusions may not apply to you.

Thank you for your purchase !

JANDON® FAUCETS
Useful Everyday

Toll Free : 1 - 877 - 526 - 3668
Website : www.jandonfaucet.com
E - mail : info@jandonfaucet.com

JANDON® FAUCETS
Useful Everyday

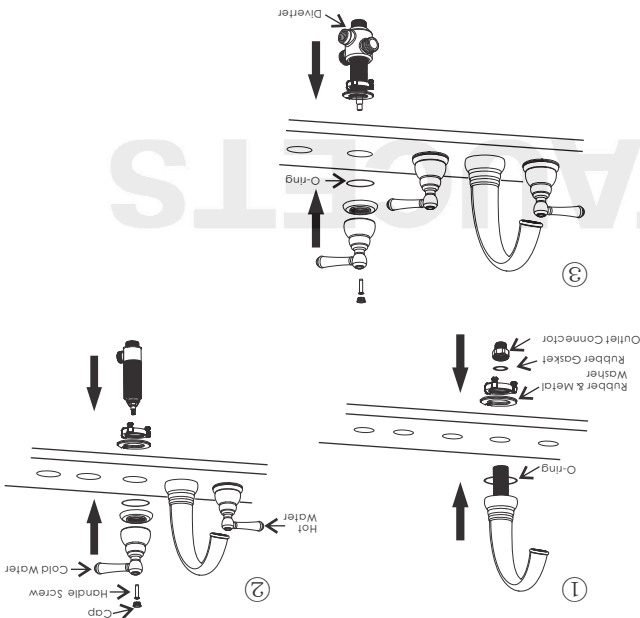
Model : 8209 Series

Chrome, Brushed Nickel PVD, Oil Rubbed Bronze

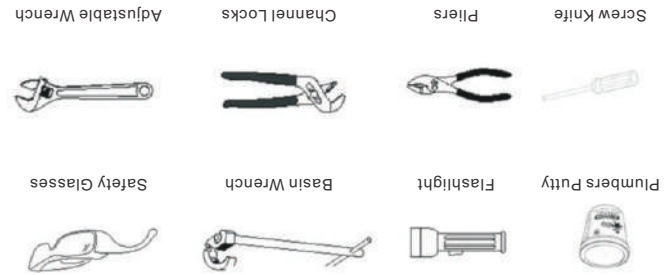


5pc Roman Tub With Hand-held Shower

- 2. Handle Installation** ② ③
- A. Underside the deck, insert stem body, attach with handle flange, insert handle on the top of stem, adjust handle pointing position, screw tighten from top, replace handle cap, tighten with mount nut and nut screws from underside of deck.
- B. Assemble outlet connector with flat rubber gasket.
- 1. Spout Installation** ①
- A. Position spout on deck, from underside of deck, assemble "rubber & metal washer", tighten with mount nut and nut screws.



Spout & Handle Installation



Gather the necessary tools as shown below to complete the installation of this faucet. Some may not be needed depending on the model of faucet you are installing. Check with your local hardware store on the requirements of your installation situation.

Tools:

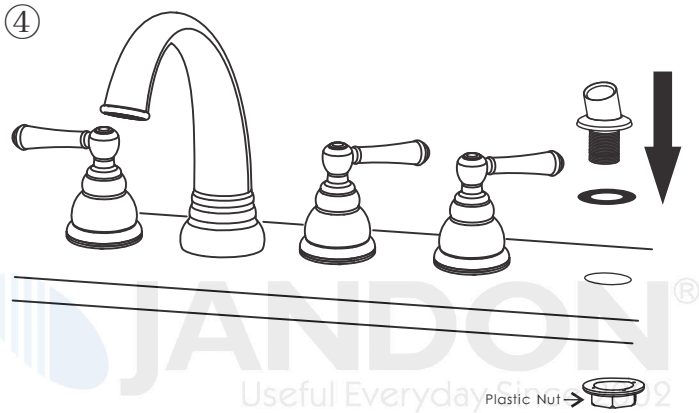
Helpful Tools

Helpful Information



2

Hand-held Shower Base Installation

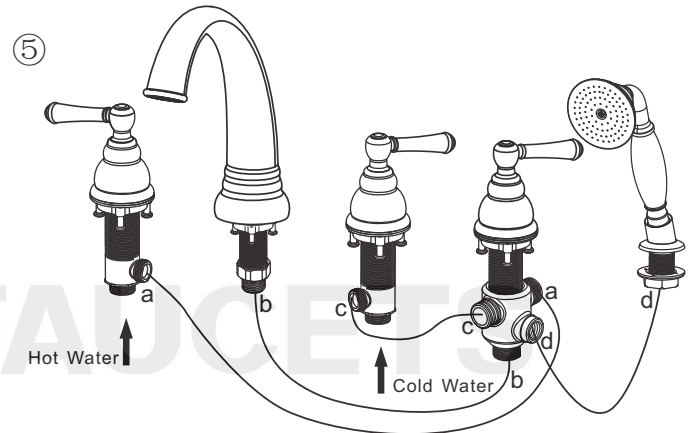


1. Hand-held shower base installation ④

A. Insert hand-held shower hose assembly to far right hole on deck, hand tighten with nut from underneath.

3

Hose Installation



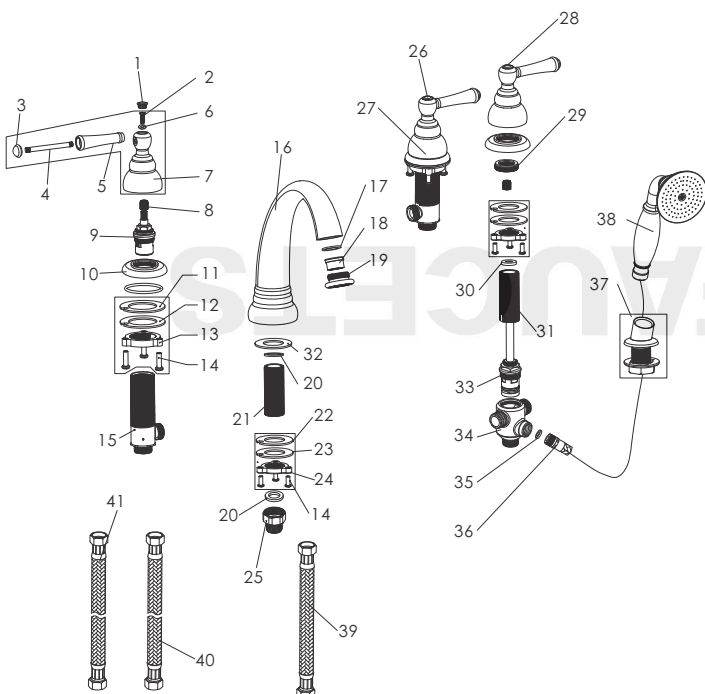
| | | |
|---|--|---|
| a | | 31 ¹ / ₂ " (800 mm) |
| b | | 23 ⁵ / ₈ " (600 mm) |
| c | | 15 ³ / ₄ " (400 mm) |
| d | | 86" (2185 mm) |

1. Hose Installation ⑤

A. Insert hand-held shower and hose through and connect with faucet diverter underside deck and tighten.
 B. Connect all stainless steel braided hoses according to ⑤ with tools.
 ★ Run water through faucet while checking for leaks at all connections.

4

Parts Diagram



5

Parts List

| | | |
|-----|-------------|------------------------------------|
| 41 | G028051 | G1/2, 600mm Hose |
| 40 | G026051 | G1/2, 800mm Hose |
| 39 | G024051 | G1/2, 400mm Hose |
| 38 | F1386 | Hand-held Shower |
| 37 | 80D99RMO | Base |
| 36 | H28226 | Shower Hose |
| 35 | 8J14X7X3 | O-Ring |
| 34 | 80T94018 | Diverter Housing |
| 33 | K20B16902 | Distribute Ceramic Cartridge |
| 32 | 8J49X33X2 | O-Ring |
| 31 | 81T28226 | Coop |
| 30 | 8J195X33X2 | Ring For Fixing Cartridge |
| 29 | 8JT98000 | Handle Connector |
| 28 | 80N82H80 | Cap |
| 27 | K28226B | Ceramic Cartridge (For Hot Water) |
| 26 | 80N82H8C | Cap |
| 25 | 8JT26A1 | Diverter |
| 24 | 8NM94015 | Nut |
| 23 | 80N94015 | Metal Washer |
| 22 | 81N94015 | Rubber Washer |
| 21 | 82G0Y961 | Screw Coop |
| 20 | 8J24X15X3 | Rubber Gasket |
| 19 | 80M28226 | Aerator Assembly Insert |
| 18 | 8NM94015 | Aerator Assembly Housing |
| 17 | 8J255X195X3 | Flat Rubber Washer |
| 16 | 80G28226A | Spout |
| 15 | 80T94017 | Hose Kit |
| 14 | 8RM6X15 | Screw |
| 13 | 82N56U26 | Nut |
| 12 | 80N56U16 | Metal Washer |
| 11 | 81N56U26 | Rubber Washer |
| 10 | 83P24Y82 | Handle Base |
| 9 | K28226A | Ceramic Cartridge (For Cold Water) |
| 8 | 81P24T42 | Screw Assembly |
| 7 | 80P24Y82 | Handle Base |
| 6 | 8TD9X4X08 | Handle Screw |
| 5 | 81P24Y82 | Handle |
| 4 | 8BM6X74 | Screw |
| 3 | 82P24Y81 | Screw Assembly |
| 2 | 8RM4X15 | Handle Screw |
| 1 | 80N82H8H | Cap |
| No. | Part Number | Part Name |